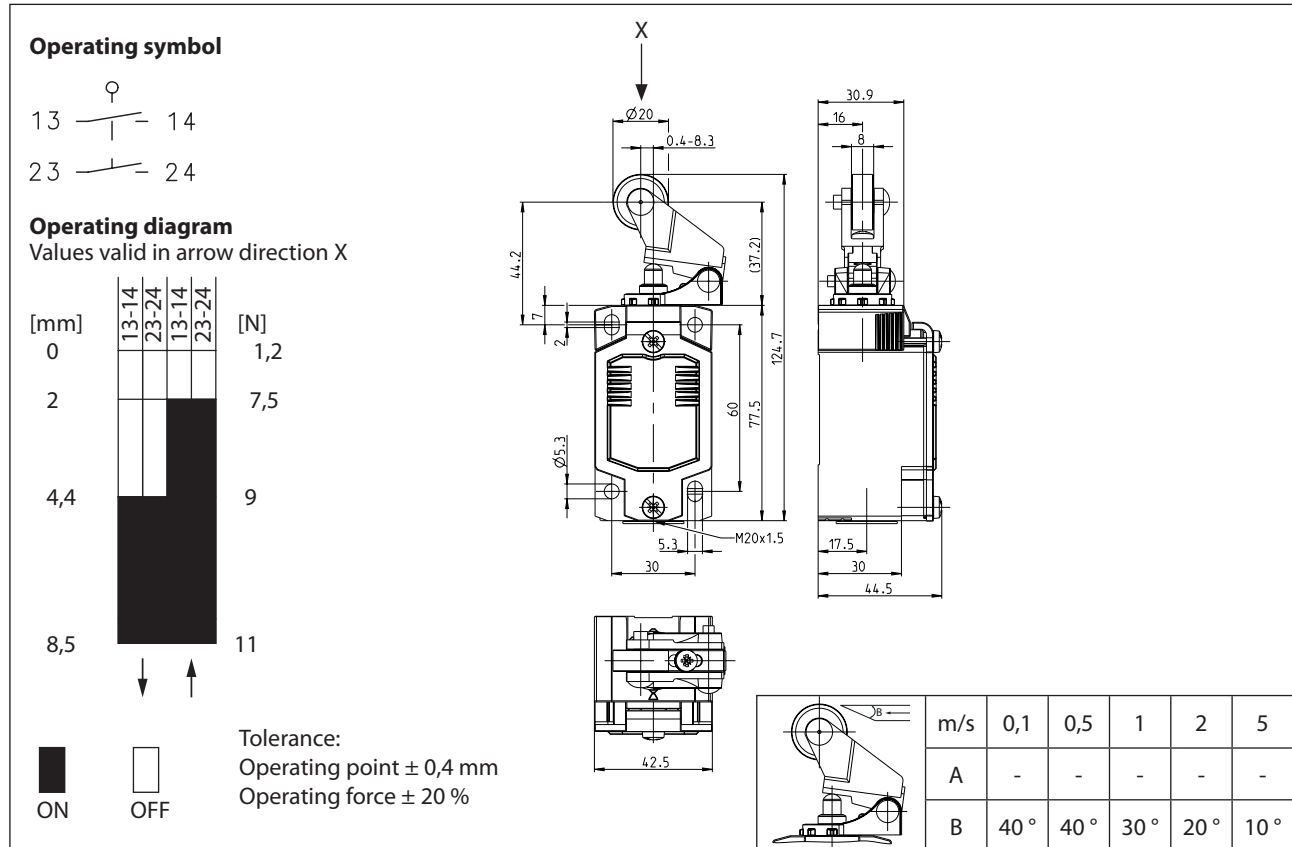


Metal bodied limit switch

Series MN78

Description **MN78-S02 DGHK**

Article number **6087000041**



Electrical Data

| | | |
|---|-----------|---|
| Rated insulation voltage | U_i | 400 V |
| Rated impulse withstand voltage | U_{imp} | 4 kV |
| Rated operational voltage | U_e | 240 V AC / 24 V DC |
| Rated supply frequency AC | | 50 / 60 Hz |
| Overvoltage category | | II acc. EN 60947-1 annex H table H1 |
| Conv. thermal current | I_{the} | 5 A |
| Minimum current | | 1 mA |
| Utilization category | | AC 15, U_e/I_e 240 V / 3 A; DC 13, U_e/I_e 24 V / 1,5 A |
| Short-circuit protective device | | Fuse 4 A gG |
| Rated conditional short-circuit current | | 400 A |
| Protection class | | I |

| Mechanical data | |
|------------------------------------|---|
| Enclosure | Die-cast aluminium |
| Cover | Sheet aluminium |
| Actuator | Lever (Zn-die cast), roller (thermoplastic) |
| Operating temperature | -30 °C ... +75 °C |
| Storage temperature | -40 °C ... +80 °C |
| Protection type | IP66 / IP67 acc. EN 60529, Type 4X |
| Pollution degree (built-in switch) | 3 |
| Contact material | silver |
| Device Class (built-in switch) | Category E (MC3+CC2+SC1) acc. EN 60947-1 annex Q |
| Contact type | 2 N.O. |
| Bounce duration | ms < 3 ms |
| Switchover time | ms < 8 ms |
| Switching frequency | ≤ 60 / min. |
| Mechanical life | 10 x 10 ⁶ operating cycles |
| Mission time | ≤20 years |
| Connection | 4 screw connections (M3) |
| Earth bolt | 1 x M3,5 |
| Conductor cross-sections | Solid or Litz wire with ferrules 0,34 mm ² - 1,5 mm ² ; AWG 22-16 |
| Cable entrance | 1 x M20 x1,5 |
| Weight | ≈ 0,25 kg |
| Installation position | operator definable |

| Actuation |
|---|
| The actuating device is preferably started from 1 side. The actuation assembly can be rotated in 45° increments such that 8 actuation directions are possible. |

| Standards |
|--------------------------|
| DIN EN 60947-5-1 |
| UL 508 / CSA C22.2 No.14 |

| EU Conformity |
|--|
| acc. to directive 2014/35/EU (Low-Voltage-Directive) |

| Approvals |
|-----------|
| CCC |
| cULus |

| Notes |
|--|
| The degree of protection (IP code) specified applies solely to a property closed cover and the use of an equivalent cable gland with adequate cable. |